

Overview

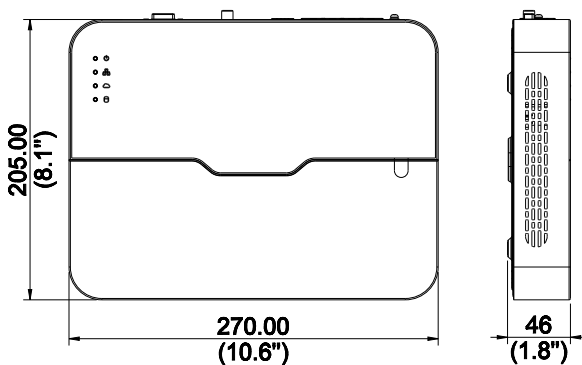
- Support H.265/H.264 video formats
- 16-channel input
- Plug & Play with 8 independent PoE network interfaces
- Support HDMI and VGA, HDMI at up to 4K (3840x2160) resolution
- Up to 4K resolution recording
- 1 SATA HDD up to 6TB
- Support cloud upgrade



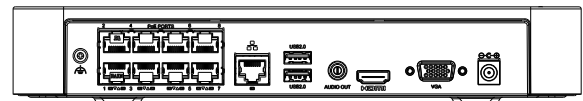
Technical Specifications	
Video/Audio Input	
IP Video Input	16-ch
Supported camera	advidia M-series
Network	
Incoming Bandwidth	64Mbps
Outgoing Bandwidth	48Mbps
Remote Users	128
Protocols	HTTP, RTSP, SMTP, DNS, DDNS, FTP, P2P, UPnP, NTP, DHCP, PPPoE
Video/Audio Output	
HDMI/VGA Output	HDMI: 4K(3840x2160)/30Hz, 1920x1080p/60Hz, 1920x1080p/50Hz, 1600x1200/60Hz, 1280x1024/60Hz, 1280x720/60Hz, 1024x768/60Hz VGA: 1920x1080p/60Hz, 1920x1080p/50Hz, 1600x1200/60Hz, 1280x1024/60Hz, 1280x720/60Hz, 1024x768/60Hz
Recording Resolution	4K/5MP/4MP/3MP/1080p/960p/720p/D1/2CIF/CIF
Recording Mode	Normal, Event, Manual
Audio Output	1-ch, RCA
Camera Control	Pan/Tilt, Zoom, Focus, Iris, Preset Position, Preset Patrol, Recorded Patrol, Auto Guard
Synchronous Playback	16-ch
Multiscreen Mode	Normal Mode: 4/6/8/9/16 Corridor Mode: 3/4/5/7/9/10/12/16 Web Client: 4/6/8/9
Decoding	
Decoding format	H.265/H.264
Live view/Playback	4K/5MP/4MP/3MP/1080p/960p/720p/D1/2CIF/CIF
Capability	1 x 4K@30fps, 4 x 5MP@25fps, 4 x 4MP@25fps, 4 x 3MP@25fps, 4 x 1080p@30fps, 8 x 720p@30fps, 16 x D1@25fps

Hard Disk	
SATA	1 SATA interface
Capacity	up to 6TB
Video Analytics	
VCA Detection	Motion detection, Tampering detection, Intrusion detection, Cross line detection, Human body detection, Audio detection, Face detection
VCA Search	Behavior search (Intrusion, Cross line), Face search
External Interface	
Network Interface	1x 10BASE-T / 100BASE-TX (RJ45)
USB Interface	Rear panel: 2 x USB2.0
PoE	
Interface	8x 10BASE-T / 100BASE-TX (RJ45)
Max Power	Max 30W for single port Max 75W in total
Supported Standard	IEEE 802.3at, IEEE 802.3af
General	
Safety:	CE, IEC62368-1
EMC:	EN55032 ClassB, EN55024
Power Supply	52V DC Power Consumption: ≤9 W (without HDD)
Working Environment	-10°C ~ + 55°C (+14°F ~ +131°F), Humidity ≤ 90% RH (non-condensing)
Dimensions (W×D×H)	270mm × 205mm × 46mm (10.6"×8.1"×1.8")
Weight (without HDD)	≤0.8 kg (1.76 lb)

Dimensions



Rear Panel



R113021 | Product specifications and availability are subject to change without notice.

© i-PRO Co., Ltd. All Rights Reserved. i-PRO, Viewnetcam.com, Advidia, VideoInsight, CloUDE, and Unified Digital Evidence are registered trademarks or trademarks of i-PRO Co., Ltd. or i-PRO Americas Inc. in various jurisdictions. All other trademarks are the property of their respective owners.